



Type: Wafer
Face to Face: Manufacturer Standard
Flange: DIN, BS, UNI, ISO, ANSI

Working Pressure: PN16 (200PSI)
Application: HVAC, Water Supply & Sewage, Chemical/Petrochemical/Processing, Power and Utilities, Paper and Pulp, Ship Building

Single Plate

The single plate mate with body seat to provide full seal for bubble-tight shut off.

Body

Wafer type with plain face inserted o-ring, small and light design, easy to install between different standard pipe flanges without gaskets.

Body Seat

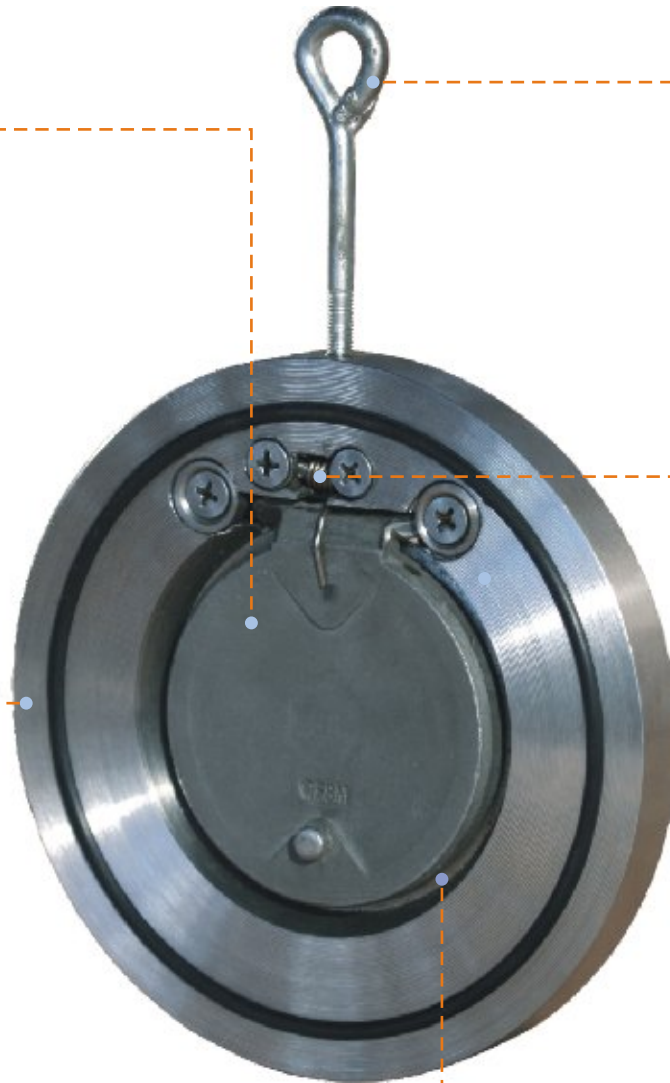
Body seat has choice for several different elastomer compounds lining on the body to meet different application demands.

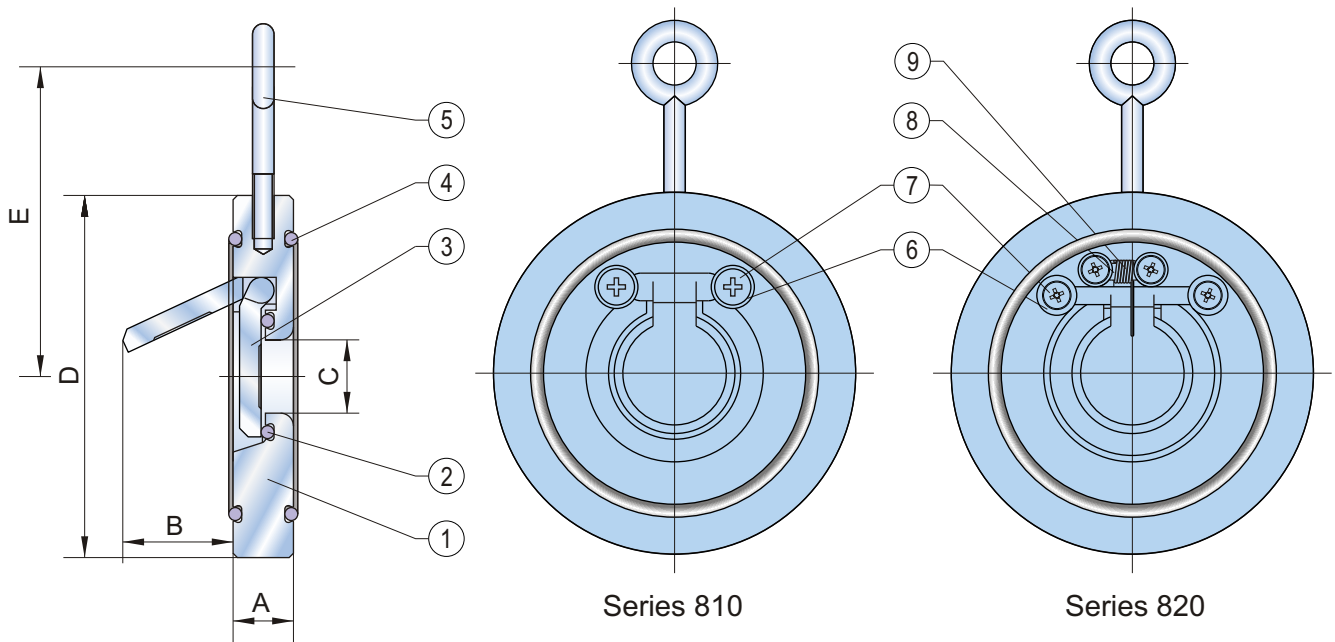
Lifting Eye Bolt

The lifting eye bolt locates on the top of the valve for horizontal pipeline.

Corrosion-Resistant Spring

Activate the check valve plate and distribute the load force evenly across the plate, ensuring quick sure response. (Series 810 without spring.)





STANDARD MATERIALS OF MAIN PARTS

ITEM	PART NAME	MATERIAL
1	Body	Carbon Steel, Stainless Steel
2	Seat	NBR, EPDM, Viton, PTFE
3	Disc	Carbon Steel, Stainless Steel
4	O ring	NBR, EPDM, Viton, PTFE
5	Eye Bolt	Carbon Steel
6	Washer	Carbon Steel, Stainless Steel
7	Screw	Carbon Steel, Stainless Steel
8	Spring Shaft	Stainless Steel
9	Spring	Stainless Steel

NOTE: Size 6"-12" valve has two pieces of spring.

DIMENSIONS AND WEIGHTS

SIZE		A		B	C	D			E	Weight (kg)
in	DN	Series 810	Series 820			PN10	PN16	ANSI 150		
1-1/2	40	14	14	30	22	95	95	86	97	0.7
2	50	14	14	35	32	109	109	105	104	0.9
2-1/2	65	14	14	48	40	129	129	124	114	1.2
3	80	14	14	60	54	144	144	137	122	1.5
4	100	18	18	78	70	164	164	175	132	2.4
5	125	18	18	98	92	195	195	197	147	3.4
6	150	20	20	117	112	220	220	222	160	4.6
8	200	22	22	160	154	275	275	279	187	7.5
10	250	26	32	200	200	330	332	339	219	15.3
12	300	32	38	235	240	380	387	409	255	23.0