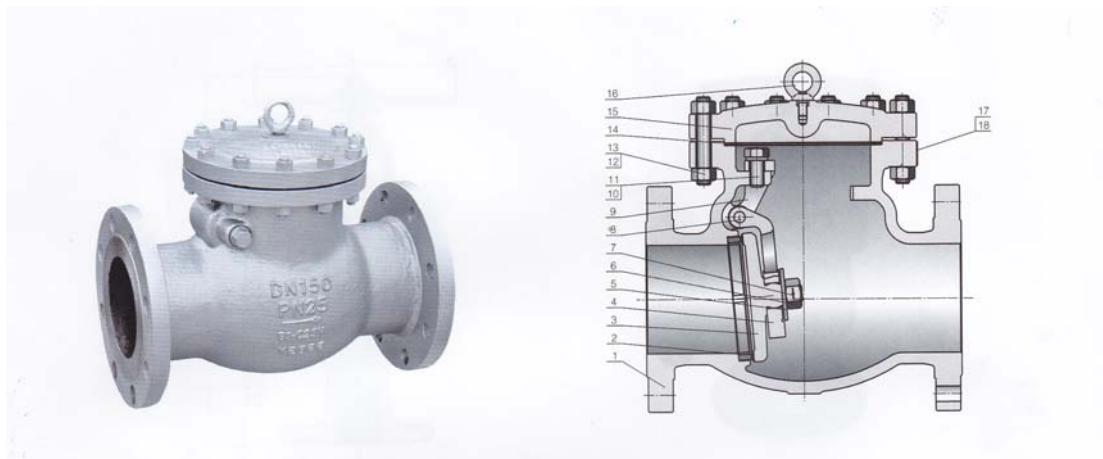


## DIN Cast Steel Swing Check Valve



### Technical Specification

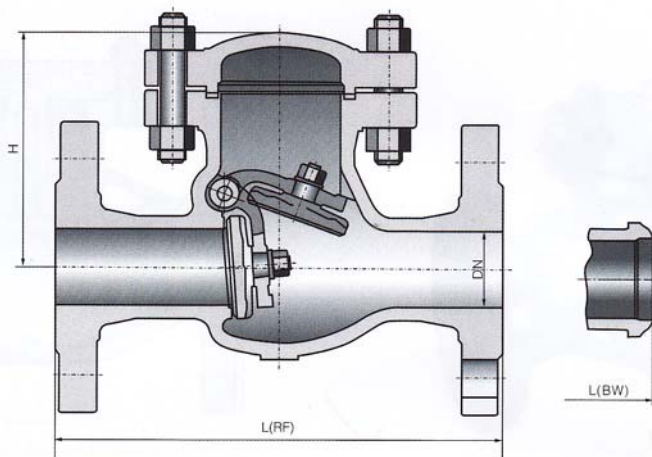
1. Design and Manufacture: DIN
2. Inspection and Test: ISO 5208、 EN12266
3. Flanged ends dimension: EN 1092-1、 DIN2544 PN 25、 DIN2545 PN40、 DIN 2546 PN64
4. Butt-welded ends dimension: EN12627
5. Pressure-temperature ratings: DIN 2401

### ★ Main Parts Material

NO	Part Name	Carbon Steel		Alloy Steel		Stainless Steel	
		WCB	LCB	WC6	WC9	CF8	CF8M
1	Body	A216WCB	A352 LCB	A217 WC6	A217 WC9	A351 CF8	A351CF 8M
2	Seat	13Cr	SS304	SS304	SS304	SS304	SS316
3	Disc	A105	A350LF2	A182 F11	A182 F22	A182 F304	A182 F316
4	Pin	A216WCB	A352LCB	A217WC6	A217WC9	A351 CF8	A351CF 8M
5	Washer	SS304	SS304	SS304	SS304	SS304	SS316
6	Nut	A194 2H	A194 4	A194 7	A194 7	A194 8	A194 8M
7	Pin	A216WCB	A352LCB	A217WC6	A217WC9	A351 CF8	A351CF 8M
8	Arm Pin	SS410	SS304	SS410	SS410	SS304	SS316
9	Yoke	A216WCB	A352LCB	A217WC6	A217WC9	A351CF8	A351CF 8M
10	Elastic Washer	SS304	SS304	SS304	SS304	SS304	SS316
11	Hex Nut	A194 2H	A194 4	A194 7	A194 7	A194 8	A194 8M
12	Bonnet Nut	A194 2H	A194 4	A194 7	A194 7	A194 8	A194 8M

13	Bonnet Bolt	A193 B7	A193 L7	A193 B16	A193 B16	A193 B8	A193 B8M
14	Gasket	Soft Graphite+SS304					
15	Bonnet	A216 WCB	A352 LCB	A217 WC6	A217 WC9	A351 CF8	A351 CF8M
16	Eyebolt Bolt	Carbon Steel					

## DIN Cast Steel Swing Check Valve



### Main Dimensions

Pressure(MPa)		PN25											
DN	mm	40	50	65	80	100	125	150	200	250	300	350	400
L(RF)-F6		180	200	240	260	300	350	400	500	600	700	800	900
L(BW)		180	200	240	260	300	350	400	500	600	700	800	900
H		129	147	161	178	190	265	285	345	394	421	458	526

Pressure(MPa)		PN40											
DN	mm	40	50	65	80	100	125	150	200	250	300	350	400
L(RF)-F1		200	230	290	310	350	400	480	600	730	850	980	1100
L(RF)-F7		240	250	290	310	350	400	450	550	650	750	850	950
L(BW)		200	230	290	310	350	400	480	550	650	750	850	950
H		129	160	175	210	240	265	270	350	415	435	518	560

Pressure(MPa)		PN64												
DN	mm	40	50	65	80	100	125	150	200	250	300	350	400	500
L(RF)-F2		260	300	340	380	430	500	550	650	775	900	1025	1150	1400
L(BW)		260	300	340	380	430	500	550	650	775	900	1025	1150	1400
H		168	165	173	210	245	300	335	390	452	520	574	610	680

Pressure (MPa)		PN100									
DN	mm	40	50	65	80	100	125	150	200	250	300
L(RF)-F2		260	300	340	380	430	500	550	650	775	900
L(BW)		260	300	340	380	430	500	550	650	775	900
H		195	205	224	236	272	305	345	398	456	528