



# Cast Steel Swing Check Valve

Class 150

Figure No. CH1RCB8 CH1RCB8-T  
 CH1BCB8 CH1BCB8-T  
 CH1JCB8 CH1JCB8-T

## FEATURES

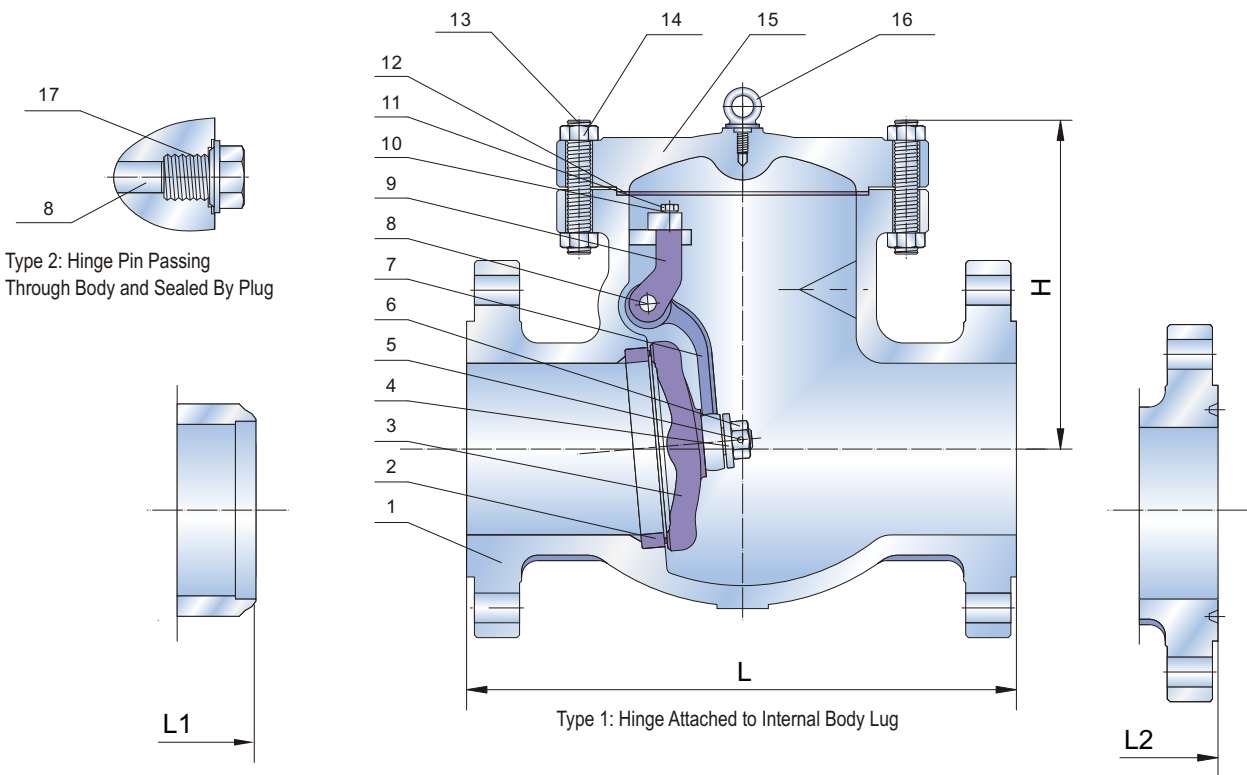
Bolted Cover
Swing Type Disc
Type 1 Standard 2"-10"
Type 2 Standard 12"-30"
6" & Larger With Eye Bolt
By Pass On Request
Lever & Weight Optional

## SPECIFICATIONS

Design	ASME B16.34/BS 1868
Face to Face	ASME B16.10
End to End	ASME B16.10
End Flange	ASME B16.5
BW End	ASME B16.25
Test	API 598
Special	NACE MR-01-75

## STANDARD MATERIALS OF PARTS

ITEM	PART NAME	MATERIAL
1	Body	ASTM A216 GR.WCB
2	Seat Ring	ASTM A105 + Setllite Faced
3	Disc	ASTM A216 GR.WCB + 13Cr Faced
4	Disc Washer	ASTM A276 Type 410
5	Disc Nut Pin	Stainless Steel
6	Disc Nut	Stainless Steel
7	Hinge	ASTM A216 GR.WCB
8	Hinge Pin	ASTM A182 GR.F6
9	Bearing Bracket	ASTM A216 GR.WCB
10	Spring Washer	Carbon Steel
11	Hex, Bolt	Carbon Steel
12	Gasket	Soft Iron+Graphite
13	Cover Bolt	ASTM A193 GR.B7
14	Cover Bolt Nut	ASTM A194 GR.2H
15	Cover	ASTM A216 GR.WCB
16	Eye Bolt	Carbon Steel
17	Pulg	Carbon Steel



## Dimensions and Weights

SIZE	in	2"	2.5"	3"	4"	6"	8"	10"	12"	14"	16"	18"	20"	24"	30"
	mm	50	65	80	100	150	200	250	300	350	400	450	500	600	750
L/L1	in	8.00	8.50	9.50	11.50	14.00	19.50	24.50	27.50	31.00	34.00	38.50	38.50	51.00	60.00
	mm	203	216	241	292	356	495	622	699	787	864	978	978	1295	1524
L2	in	8.50	9.00	10.00	12.00	14.50	20.00	25.00	28.00	31.50	34.50	39.00	39.00	51.50	—
	mm	216	229	254	305	368	508	635	711	800	876	991	991	1308	—
H	in	6.10	6.70	7.09	8.66	10.55	12.20	14.57	16.73	18.70	20.67	22.83	24.72	34.72	38.27
	mm	155	170	180	220	268	310	370	425	475	525	580	628	882	972
Weight RF	kg	19	26	29	46	77	163	220	366	428	555	775	835	1180	1960



Figure No. CH3RCB8 CH3RCB8-T  
 CH3BCB8 CH3BCB8-T  
 CH3JCB8 CH3JCB8-T

**FEATURES**

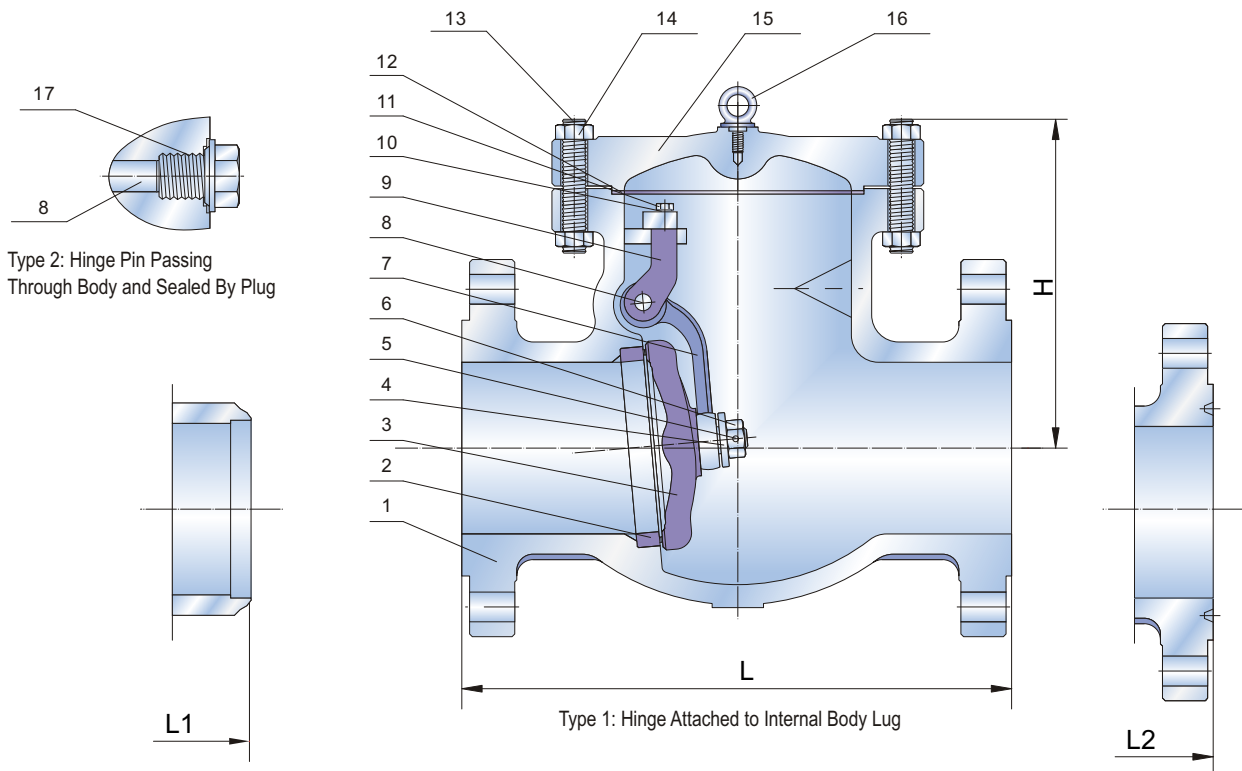
Bolted Cover
Swing Type Disc
Type 1 Standard 2"-8"
Type 2 Standard 10"-24"
3" & Larger With Eye Bolt
By Pass On Request
Lever & Weight Optional

**SPECIFICATIONS**

Design	ASME B16.34/BS 1868
Face to Face	ASME B16.10
End to End	ASME B16.10
End Flange	ASME B16.5
BW End	ASME B16.25
Test	API 598
Special	NACE MR-01-75

**STANDARD MATERIALS OF PARTS**

ITEM	PART NAME	MATERIAL
1	Body	ASTM A216 GR.WCB
2	Seat Ring	ASTM A105 + Settlite Faced
3	Disc	ASTM A216 GR.WCB + 13Cr Faced
4	Disc Washer	ASTM A276 Type 410
5	Disc Nut Pin	Stainless Steel
6	Disc Nut	Stainless Steel
7	Hinge	ASTM A216 GR.WCB
8	Hinge Pin	ASTM A182 GR.F6
9	Bearing Bracket	ASTM A216 GR.WCB
10	Spring Washer	Carbon Steel
11	Hex, Bolt	Carbon Steel
12	Gasket	Soft Iron+Graphite
13	Cover Bolt	ASTM A193 GR.B7
14	Cover Bolt Nut	ASTM A194 GR.2H
15	Cover	ASTM A216 GR.WCB
16	Eye Bolt	Carbon Steel
17	Pulg	Carbon Steel



Dimensions and Weights														
SIZE	in	2"	2.5"	3"	4"	6"	8"	10"	12"	14"	16"	18"	20"	24"
L/L1	in	10.50	11.50	12.50	14.00	17.50	21.00	24.50	28.00	33.00	34.00	38.50	40.00	53.00
	mm	267	292	318	356	445	533	622	711	838	864	978	1016	1346
L2	in	11.12	12.12	13.12	14.62	18.12	21.62	25.12	28.62	33.62	34.62	39.12	40.75	53.88
	mm	283	308	333	371	460	549	638	727	854	879	994	1035	1368
H	in	6.89	7.28	7.80	9.25	11.10	13.19	15.15	18.11	20.47	21.81	23.62	26.38	29.53
	mm	175	185	198	235	282	335	385	460	520	554	600	670	750
Weight RF	kg	21	30	39	69	125	210	307	450	680	840	1025	1320	1960



# Cast Steel Swing Check Valve

Class 600

Figure No. CH6RCB8 CH6RCB8-T  
 CH6BCB8 CH6BCB8-T  
 CH6JCB8 CH6JCB8-T

## FEATURES

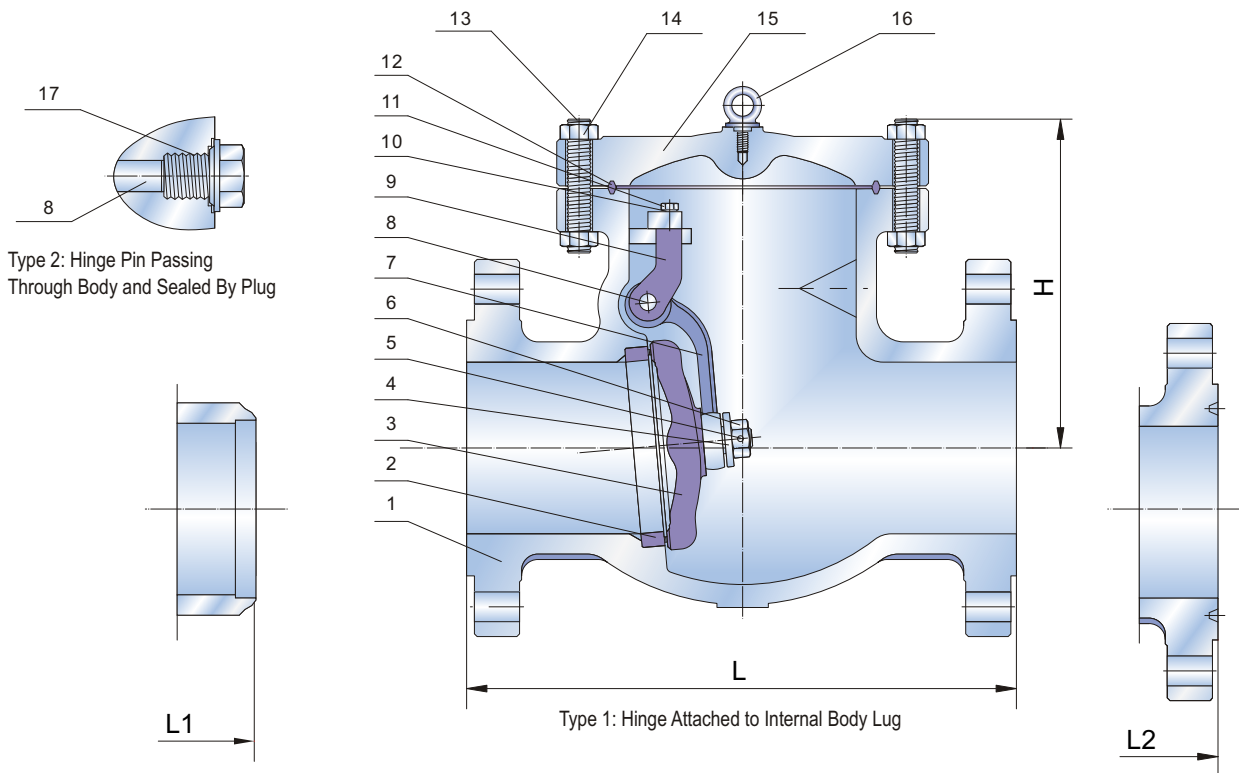
Bolted Cover
Swing Type Disc
Type 1 Standard 2"-6"
Type 2 Standard 8"-24"
With Eye Bolt
By Pass On Request
Lever & Weight Optional

## SPECIFICATIONS

Design	ASME B16.34/BS 1868
Face to Face	ASME B16.10
End to End	ASME B16.10
End Flange	ASME B16.5
BW End	ASME B16.25
Test	API 598
Special	NACE MR-01-75

## STANDARD MATERIALS OF PARTS

ITEM	PART NAME	MATERIAL
1	Body	ASTM A216 GR.WCB
2	Seat Ring	ASTM A105 + Setllite Faced
3	Disc	ASTM A216 GR.WCB + 13Cr Faced
4	Disc Washer	ASTM A276 Type 410
5	Disc Nut Pin	Stainless Steel
6	Disc Nut	Stainless Steel
7	Hinge	ASTM A216 GR.WCB
8	Hinge Pin	ASTM A182 GR.F6
9	Bearing Bracket	ASTM A216 GR.WCB
10	Spring Washer	Carbon Steel
11	Hex, Bolt	Carbon Steel
12	Gasket, Ring Joint	Soft Iron
13	Cover Bolt	ASTM A193 GR.B7
14	Cover Bolt Nut	ASTM A194 GR.2H
15	Cover	ASTM A216 GR.WCB
16	Eye Bolt	Carbon Steel
17	Pulg	Carbon Steel



## Dimensions and Weights

SIZE	in	2'	2.5'	3'	4'	6'	8'	10'	12'	14'	16'	18'	20'	24'
	mm	50	65	80	100	150	200	250	300	350	400	450	500	600
L/L1	in	11.50	13.00	14.00	17.00	22.00	26.00	31.00	33.00	35.00	39.00	43.00	47.00	55.00
	mm	292	330	356	432	559	660	787	838	889	991	1092	1194	1397
L2	in	11.62	13.12	14.12	17.12	22.12	26.12	31.12	33.12	35.12	39.12	43.12	47.25	55.38
	mm	295	333	359	435	562	663	790	841	892	994	1095	1200	1407
H	in	7.16	7.87	8.94	10.24	12.80	15.35	19.29	20.79	22.56	25.98	28.35	29.37	37.80
	mm	182	200	227	260	325	390	490	528	572	660	720	746	960
Weight RF	kg	36	49	70	122	269	465	673	875	944	1220	1620	2120	3100

# Class 900-2500 Cast Steel Swing Check Valve



Figure No. CH9RCB5 CH9RCB5-T CH15RCB5 CH15RCB5-T CH25RCB5 CH25RCB5-T  
 CH9BCB5 CH9BCB5-T CH15BCB5 CH15BCB5-T CH25BCB5 CH25BCB5-T  
 CH9JCB5 CH9JCB5-T CH15JCB5 CH15JCB5-T CH25JCB5 CH25JCB5-T

## FEATURES

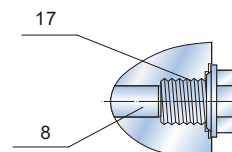
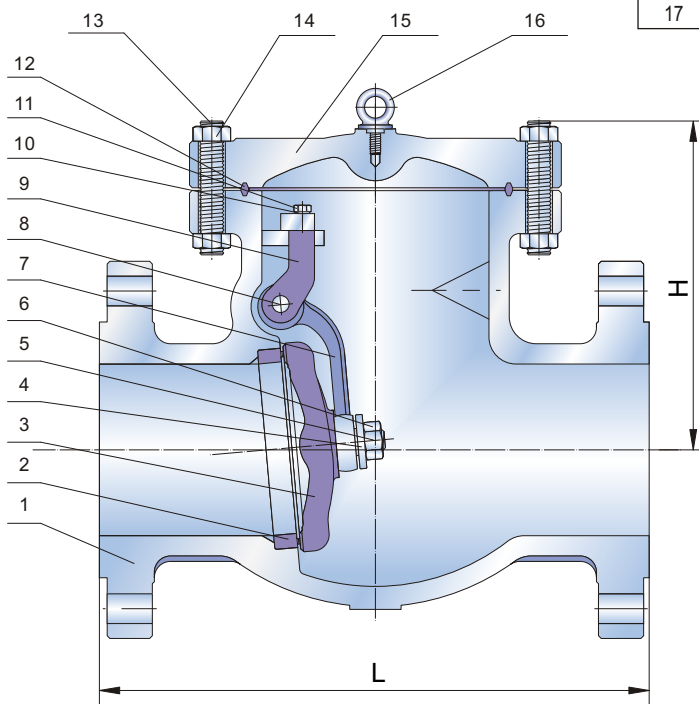
Bolted Cover
Swing Type Disc
Type 1 Optional
Type 2 Standard
With Eye Bolt
By Pass On Request
Lever & Weight Optional

## SPECIFICATIONS

Design	ASME B16.34/BS 1868
Face to Face	ASME B16.10
End to End	ASME B16.10
End Flange	ASME B16.5
BW End	ASME B16.25
Test	API 598
Special	NACE MR-01-75

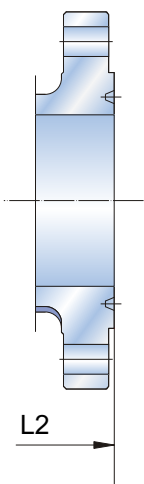
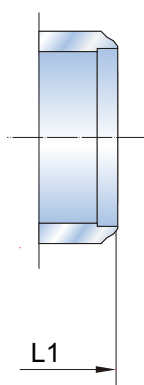
## STANDARD MATERIALS OF PARTS

ITEM	PART NAME	MATERIAL
1	Body	ASTM A216 GR.WCB
2	Seat Ring	ASTM A105 + Stellite Faced
3	Disc	ASTM A216 GR.WCB + Stellite Faced
4	Disc Washer	ASTM A276 Type 410
5	Disc Nut Pin	Stainless Steel
6	Disc Nut	Stainless Steel
7	Hinge	ASTM A216 GR.WCB
8	Hinge Pin	ASTM A182 GR.F6
9	Bearing Bracket	ASTM A216 GR.WCB
10	Spring Washer	Carbon Steel
11	Hex, Bolt	Carbon Steel
12	Gasket, Ring Joint	Soft Iron
13	Cover Bolt	ASTM A193 GR.B7
14	Cover Bolt Nut	ASTM A194 GR.2H
15	Cover	ASTM A216 GR.WCB
16	Eye Bolt	Carbon Steel
17	Pulg	Carbon Steel



Type 2: Hinge Pin Passing Through Body and Sealed By Plug

Type 1: Hinge Attached to Internal Body Lug



Dimensions and Weights		CLASS 900									
SIZE	in	2"	2.5"	3"	4"	6"	8"	10"	12"		
	mm	50	65	80	100	150	200	250	300		
L/L1	in	14.50	16.50	15.00	18.00	24.00	29.00	33.00	38.00		
	mm	368	419	381	457	610	737	838	965		
L2	in	14.62	16.62	15.12	18.12	24.12	29.12	33.12	38.12		
	mm	371	422	384	460	613	740	841	968		
H	in	11.65	11.81	11.81	12.87	17.36	19.76	26.14	30.51		
	mm	296	300	300	327	441	502	664	775		
Weight RF	kg	70	100	91	150	305	510	810	1120		

Dimensions and Weights		CLASS 1500									
SIZE	in	2"	2.5"	3"	4"	6"	8"	10"	12"		
	mm	50	65	80	100	150	200	250	300		
L/L1	in	14.50	16.50	18.50	21.50	27.75	32.75	39.00	44.50		
	mm	368	419	470	546	705	832	991	1130		
L2	in	14.62	16.62	18.62	21.62	28.00	33.13	39.38	45.12		
	mm	371	422	473	549	711	841	1000	1146		
H	in	11.65	11.81	13.43	16.22	20.12	26.77	29.76	33.74		
	mm	296	300	341	412	511	680	756	857		
Weight RF	kg	70	100	150	245	550	1010	1550	2280		

Dimensions and Weights		CLASS 2500									
SIZE	in	2"	2.5"	3"	4"	6"	8"	10"	12"		
	mm	50	65	80	100	150	200	250	300		
L/L1	in	17.75	20.00	22.75	26.50	36.00	40.25	50.00	56.00		
	mm	451	508	578	673	914	1022	1270	1422		
L2	in	17.87	20.25	23.00	26.88	36.50	40.87	50.88	56.88		
	mm	454	514	584	683	927	1038	1292	1445		
H	in	16.38	16.50	17.36	18.86	20.12	27.99	33.50	39.37		
	mm	416	419	441	479	511	711	851	1000		
Weight RF	kg	145	240	330	650	1400	2420	3750	5500		