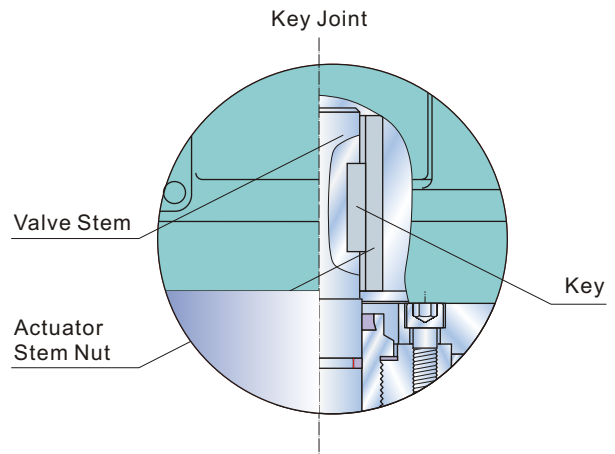
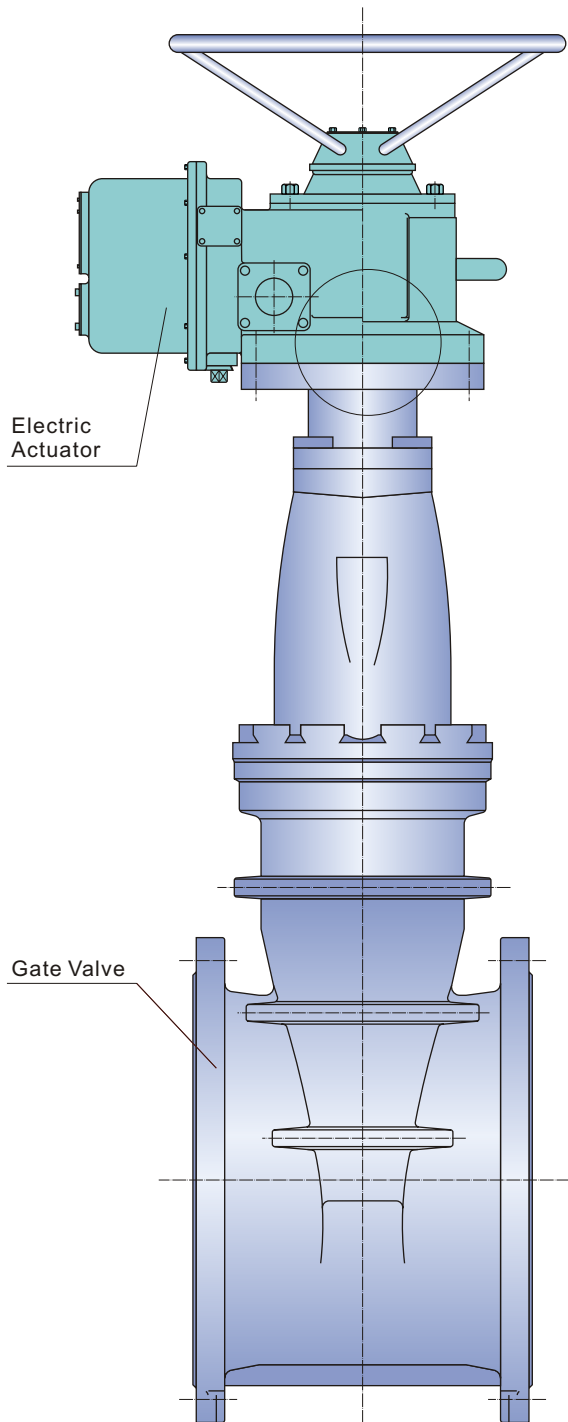




# Resilient Seat Gate Valve with Electric Actuator

## Specifications

Size	DN 40 - DN 600
Class	PN 10 - PN 16
Design	DIN 3352, BS5163, AWWA C509
Face to Face	DIN 3202, BS5163, ASME B16.10
End Flange	DIN, BS, ASME Standard
Test	DIN3230, BS5163, AWWA C509



## Valve Torque & Electric Actuator Type

DN (mm)	40	50	65	80	100	125	150	200	250	300	350	400	450	500	600
Torque(Nm)	40	45	70	80	100	150	260	300	350	400	490	660	680	1100	1350
Actuator Type	9030		9031			9032		9033			9034			9035	
Flange No.	F07		F10			F14		F16			F25			F30	

- Notes: 1. The torque data is in maximum working pressure 1.6 MPa, safety factor not included.  
 2. Electric actuator is selected from TIANJIN BEIFANG VALVE ACTUATOR COMPANY, CHINA.